

PIN	DIM A	DIM B	DIM C	DIM D	DIM E
13	5.40	3.00	3.60	4.23	4.90
15	6.00	3.60	4.20	4.83	5.50
17	6.60	4.20	4.80	5.43	6.10
19	7.20	4.80	5.40	6.03	6.70
21	7.80	5.40	6.00	6.63	7.30
23	8.40	6.00	6.60	7.23	7.90
25	9.00	6.60	7.20	7.83	8.50
27	9.60	7.20	7.80	8.43	9.10
29	10.20	7.80	8.40	9.03	9.70
31	10.80	8.40	9.00	9.63	10.30
33	11.40	9.00	9.60	10.23	10.90
35	12.00	9.60	10.20	10.83	11.50
37	12.60	10.20	10.80	11.43	12.10
39	13.20	10.80	11.40	12.03	12.70
41	13.80	11.40	12.00	12.63	13.30
45	15.00	12.60	13.20	13.83	14.50
49	16.20	13.80	14.40	15.03	15.70
51	16.80	14.40	15.00	15.63	16.30
57	18.60	16.20	16.80	17.43	18.10
61	19.80	17.40	18.00	18.63	19.30
71	22.80	20.40	21.00	21.63	22.30

- Part No. Information:
- GL74S01-\*\*-B-T-A-2-G-R-Y
- A: Serial No.:  
GL74S01: PH0.3mm FPC SMT ZIF Type
- B. NO. Of Positions:  
13-71 Pins
- C. Contact Type  
B: Bottom Contact Type
- D. Plated:  
T: TIN Plated all over
- E. Housing Material and Color  
A: LCP-White
- F. Lock Material And Color  
2: LCP-Black
- G. Housing Height  
G:H=1.3mm
- H. Packed  
R: Tape reel

1. MATERIAL:  
HOUSING:LCP(UL 94V-0)  
ACTUATOR:LCP(UL 94-0)  
TERMINAL:PHOSPHOR BRONZE  
STOPPER:PHOSPHOR BRONZE
2. PLATING:  
TERMINAL: SEE ORDERING INFORMATION  
STOPPER: TIN OVER NICKEL(LEAD FREE)
3. RATING:  
OPERATING VOLTAGE: 30V  
CURRENT RATING: 0.2A  
OPERATING TEMPERATURE: -25°C~+85°C

**ROHS**

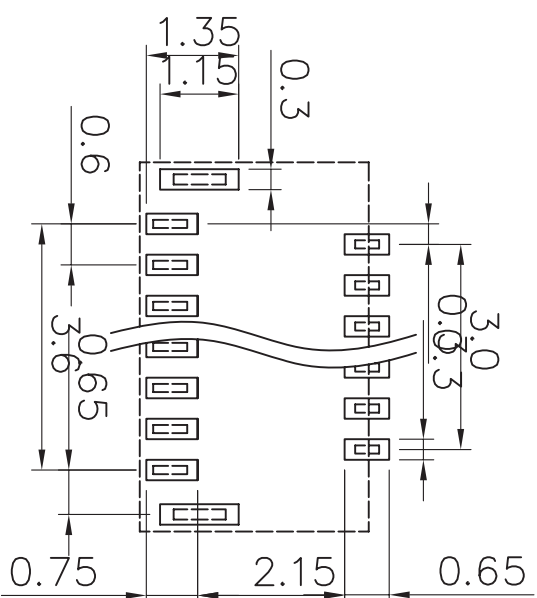


**GLCONN**  
GoodInk  
International Electronics Co., Ltd

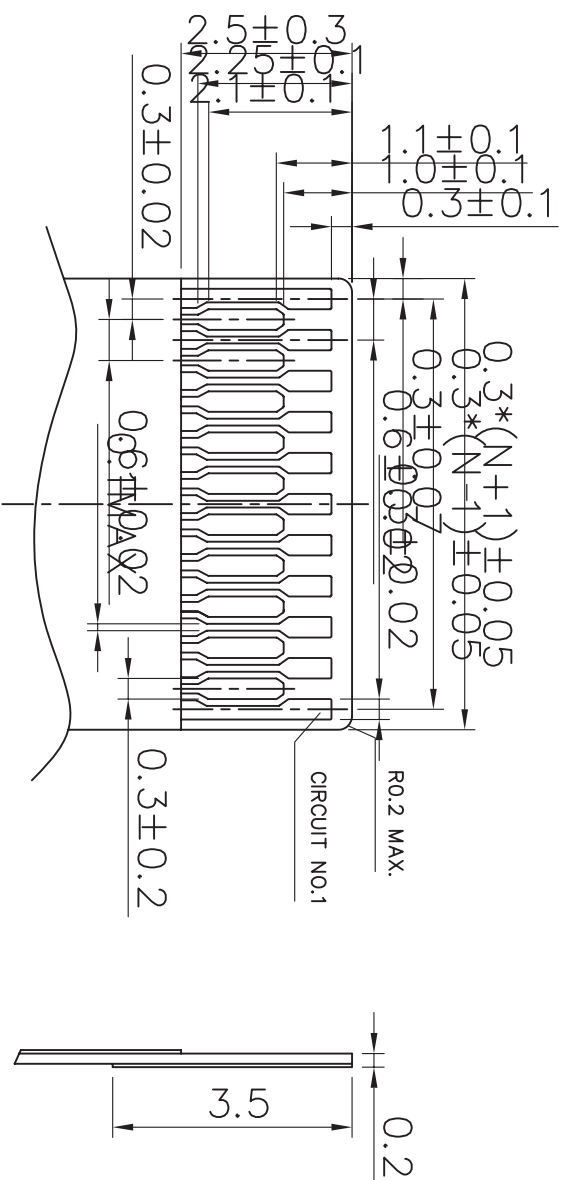
DESCRIPTION: PITCH0.3MM FPC SMT H1.3MM

DRAWING NO: W110525-02 PART NO: GL74S01\*\*BTA2GR-Y

THIRD ANGLE PROJECTION	REVISION	A	UNIT	MM	DRAWN	Etien
	LINER X. ±0.50 X.X ±0.38 X.XX ±0.25	ANGLE X.° ±5° X.X° ±2° X.XX° ±1°	SCALE	N/A	CHECKED	
			SHEET	1/1	APPROVED	



RECOMMENDED PCB PATTERN LAYOUT



APPLICABLE FPC OF GOLD PATING  
RECOMMENDED DIMENSION

THICKNESS: 0.2±0.03

<b>ROHS</b>		<b>GLCONN</b> GoodInk International Electronics Co., Ltd	
DESCRIPTION		PITCH0.3MM FPC SMT H1.3MM	
DRAWING NO		W110525-02	PART NO GL74S01**BTA2GR-Y
THIRD ANGLE PROJECTION	REVISION	A	UNIT
LINEAR	±0.50	ANGLE	±5°
X.X	±0.38	X.X°	±2°
X.XX	±0.25	X.XX°	±1°
		SHEET	1/1
		SCALE	N/A
		CHECKED	
		APPROVED	
		DRAWN	Ellen