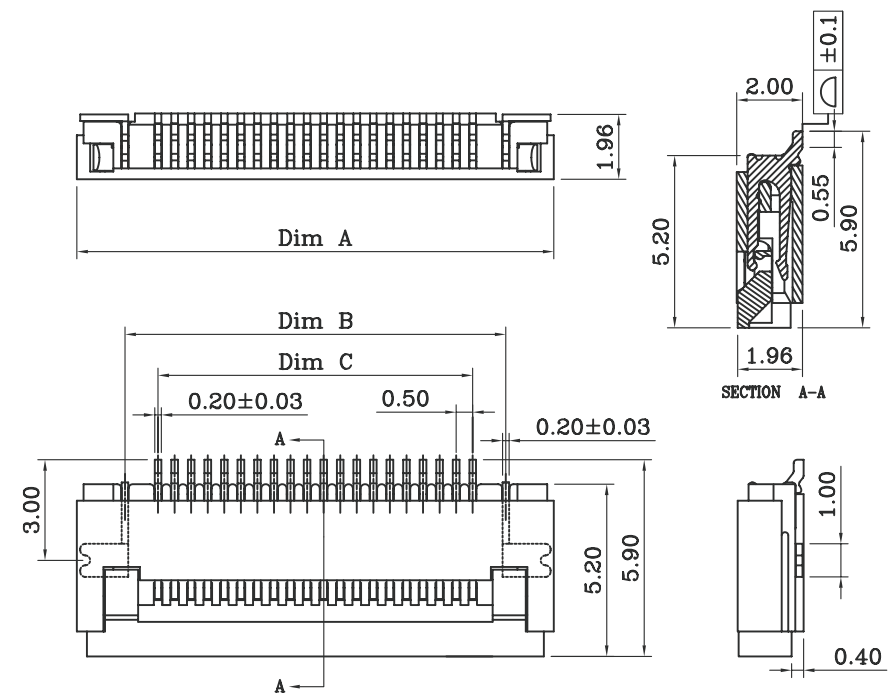
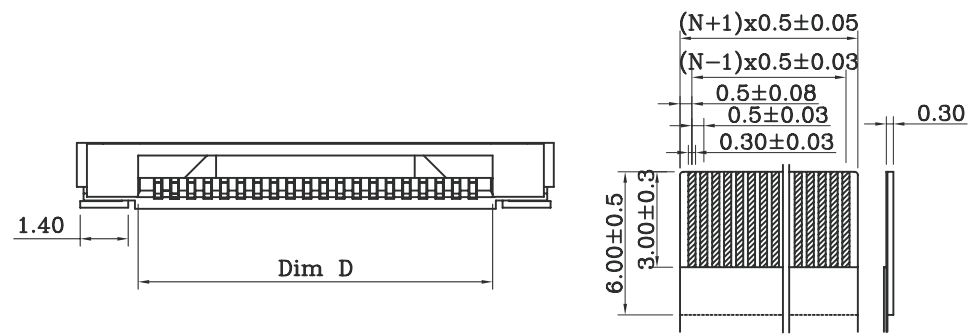


- MATERIAL SPECIFICATION:**
- HOUSING:HEIGHT TEMP. PLASTIC(UL94V-0)
 - CONTACT:PHOSPHOR BRONZE
 - FITING NIAL:BRASS
- ELECTRICAL PERFORMANCE**
- RATED VOLTAGE(MAX.):50V AC/DC
 - RATED CURRENT(MAX.):0.4A AC/DC
 - DIELECTRIC STRENGTH:250V AC FOR 1 MINUTE BETWEEN ADJACENT TERMINAL, NO BREAKDOWN
 - INSULATION RESISTANCE:50 MEGOHMS MIN. 250V DC FOR 1 MINUTE BETWEEN ADJACENT TERMINAL
 - CONTACT RESISTANCE:40 MILLIOHM MAX.
 - OPERATING TEMPERATURE:-25° to +85°

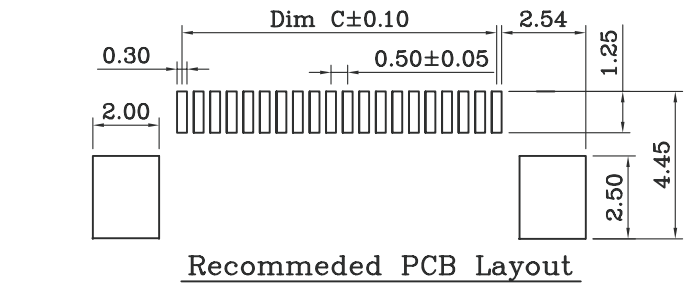
PIN	A	B	C	D	PIN	A	B	C	D
4	6.40	3.50	1.50	2.60	33	20.9	18.0	16.0	17.10
5	6.90	4.00	2.00	3.10	34	21.4	18.5	16.5	17.60
6	7.40	4.50	2.50	3.60	35	21.9	19.0	17.0	18.10
7	7.90	5.00	3.00	4.10	36	22.4	19.5	17.5	18.60
8	8.40	5.50	3.50	4.60	37	22.9	20.0	18.0	19.10
9	8.90	6.00	4.00	5.10	38	23.4	20.5	18.5	19.60
10	9.40	6.50	4.50	5.60	39	23.9	21.0	19.0	20.10
11	9.90	7.00	5.00	6.10	40	24.4	21.5	19.5	20.60
12	10.40	7.50	5.50	6.60	41	24.9	22.0	20.0	21.10
13	10.90	8.00	6.00	7.10	42	25.4	22.5	20.5	21.60
14	11.40	8.50	6.50	7.60	43	25.9	23.0	21.0	22.10
15	11.90	9.00	7.00	8.10	44	26.4	23.5	21.5	22.60
16	12.40	9.50	7.50	8.60	45	26.9	24.0	22.0	23.10
17	12.90	10.00	8.00	9.10	46	27.4	24.5	22.5	23.60
18	13.40	10.50	8.50	9.60	47	27.9	25.0	23.0	24.10
19	13.90	11.00	9.00	10.10	48	28.4	25.5	23.5	24.60
20	14.40	11.50	9.50	10.60	49	28.9	26.0	24.0	25.10
21	14.90	12.00	10.00	11.10	50	29.4	26.5	24.5	25.60
22	15.40	12.50	10.50	11.60	51	29.9	27.0	25.0	26.10
23	15.90	13.00	11.00	12.10	52	30.4	27.5	25.5	26.60
24	16.40	13.50	11.50	12.60	53	30.9	28.0	26.0	27.10
25	16.90	14.00	12.00	13.10	54	31.4	28.5	26.5	27.60
26	17.40	14.50	12.50	13.60	55	31.9	29.0	27.0	28.10
27	17.90	15.00	13.00	14.10	56	32.4	29.5	27.5	28.60
28	18.40	15.50	13.50	14.60	57	32.9	30.0	28.0	29.10
29	18.90	16.00	14.00	15.10	58	33.4	30.5	28.5	29.60
30	19.40	16.50	14.50	15.60	59	33.9	31.0	29.0	30.10
31	19.90	17.00	15.00	16.10	60	34.4	31.5	29.5	30.60
32	20.40	17.50	15.50	16.60					




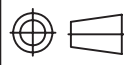
SECTION A-A



RECOMMENDED FFC/FPC DIM.



Recommended PCB Layout

RoHS		 吴江市世连电子有限公司			
DESCRIPTION		FPC PH0.5 掀盖式			
DRAWING NO		100828-001	PART NO	GL75S02-XXB	
THIRD ANGLE PROJECTION 	REVISION	A	UNIT	MM	DRAWN
	LINEAR	±0.50	ANGLE	°	±5°
	X.X	±0.38	X.X°	±2°	
	X.XX	±0.25	X.XX°	±1°	
	SCALE	N/A	CHECKED	SKY	
	SHEET	1/1	APPROVED		