

SECTION:A-A  
SCALE:2:1

Part No. Information:

- GLIMP5201 - \* - G00 - W - R
- (A) (B) (C) (D) (E)
- (A), Serial No.
- (B), GLIMP5201: MINI PCI 52PIN SMT
- (B), Housing Height(DIM.A)
- A: H=4.0mm
- B: H=5.2mm
- C: H=5.6mm
- (C), Contact Plated:
- G00: Gold flash
- G\*\* \*\* Represent the gold thickness
- Eg: G05: Gold 5u"
- (D), Housing Color:
- W: White; B:Black
- (E), Packed
- R: Tape Reel
- T: PVC Tube

NOTES:

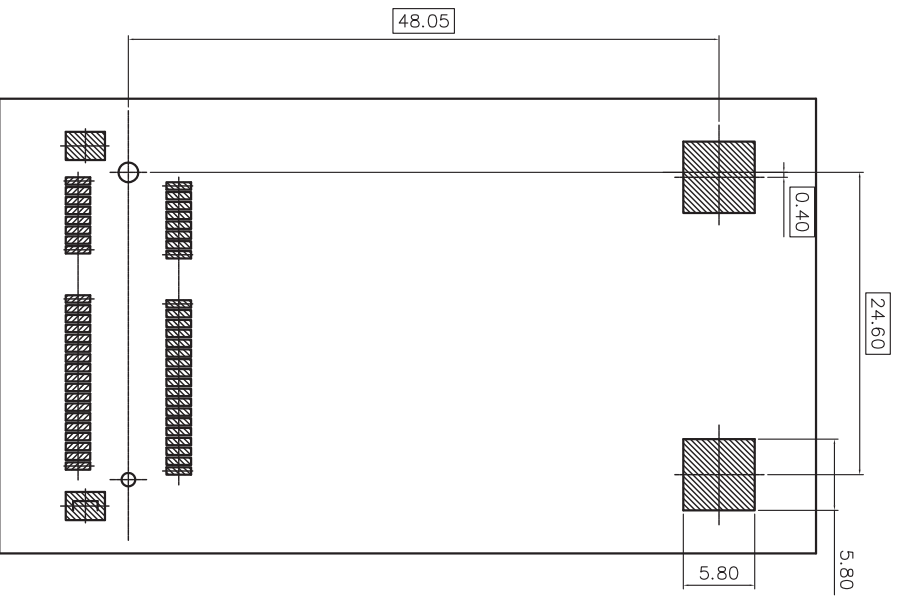
MATERIAL AND FINISH:  
CONTACT: COPPER ALLOY,NICKEL UNDERPLATING. COLD PLATING  
ON CONTACT AREA AND ON SOLDER AREA.  
NAIL: COPPER ALLOY,NICKEL UNDERPLATING ,MATTE-TIN OVER NICKEL.  
HOUSING: HIGH TEMP.THERMOPLASTIC,UL 94V-0,BLACK

**ROHS**

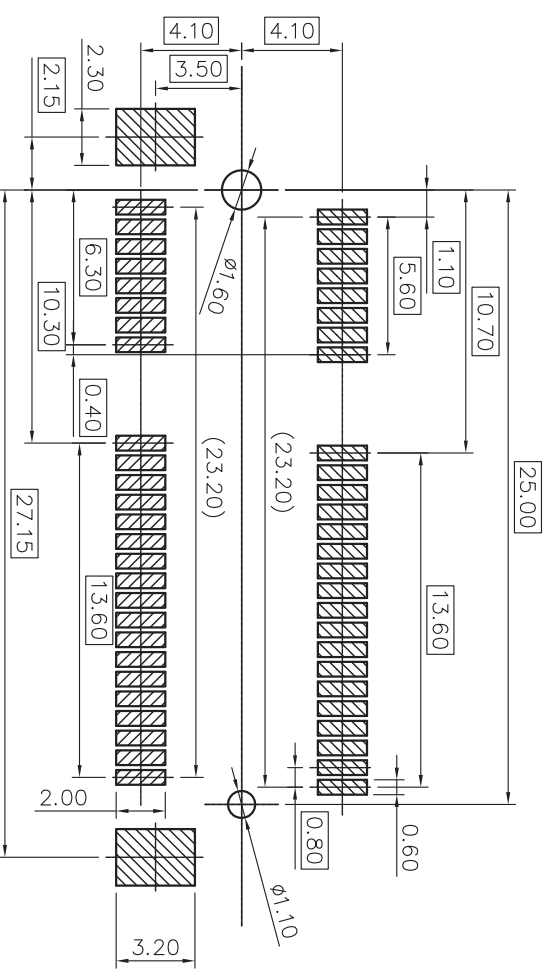
**GLCONN**  
Goodlink  
International Electronics Co., Ltd.

DESCRIPTION: MINI PCI 52PIN SMT

DRAWING NO	101123-21	PART NO	GLIMP5201*G00WR
THIRD ANGLE PROJECTION			
REVISION	A	UNIT	MM
LINEAR	±0.50	ANGLE	±5°
X.X	±0.38	X.X°	±2°
X.XX	±0.25	X.XX°	±1°
SHEET	1/1	CHECKED	
		APPROVED	



RECOMMENDED PCB LAYOUT



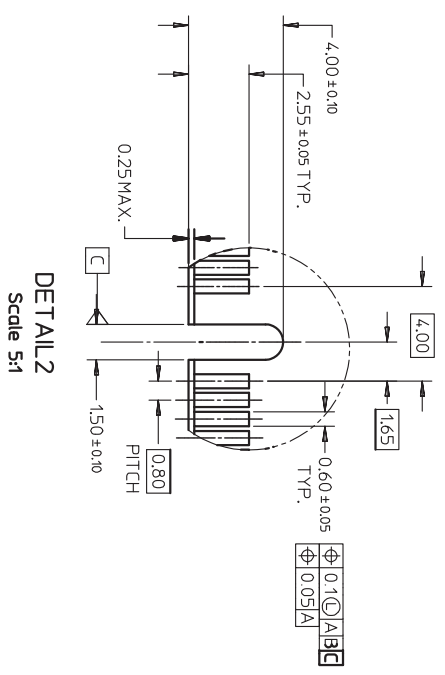
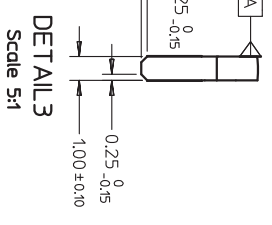
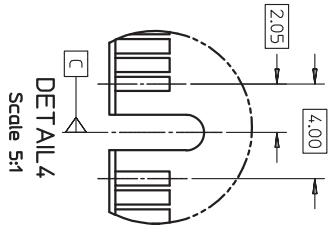
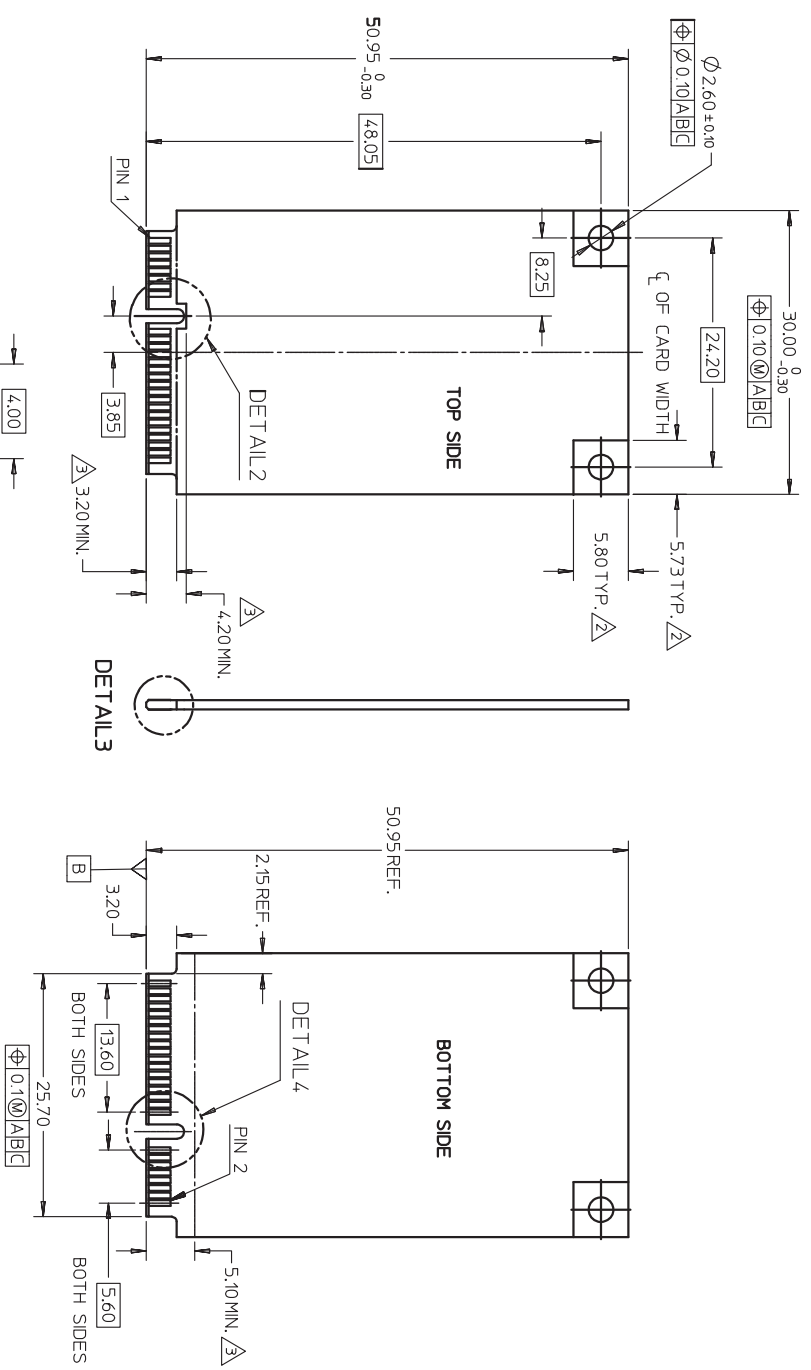
SCALE 2:1

**ROHS**

**GLCONN**  
Goodlink  
International Electronics Co., Ltd.

DESCRIPTION	MINI PCI 52PIN SMT	
DRAWING NO	101123-21	PART NO
	GLMP5201*GDQWR	

THIRD ANGLE PROJECTION	REVISION	A	UNIT	MM	DRAWN	Joyce
LINEAR	±0.50	ANGLE	±5°	SCALE	N/A	CHECKED
X.X	±0.38	X.X°	±2°	SHEET	1/1	APPROVED
X.XX	±0.25	X.XX°	±1°			



NOTES,  
 1. PIN NUMBERING REFERENCE:  
 ODD PINS-TOP SIDE  
 EVEN PINS-BOTTOM SIDE  
 2. COMPONENT AND ROUTING(ALL LAYERS)  
 KEEP OUT AREA FOR HOLD DOWN SOLUTIONS  
 3. COMPONENT KEEP OUT AREA FOR CONNECTOR

**ROHS**

**GLCONN**  
 Goodlink  
 International Electronics Co., Ltd.

DESCRIPTION: MINI PCI 52PIN SMT

DRAWING NO	101123-21	PART NO	GLMP5201*GDDWR
------------	-----------	---------	----------------

REVISION	A	UNIT	MM	DRAWN	Joyce
THIRD ANGLE PROJECTION					
LINEAR	±0.50	ANGLE	±5°	SCALE	N/A
X.X	±0.38	X.X°	±2°	CHECKED	
X.XX	±0.25	X.XX°	±1°	SHEET	1/1
				APPROVED	