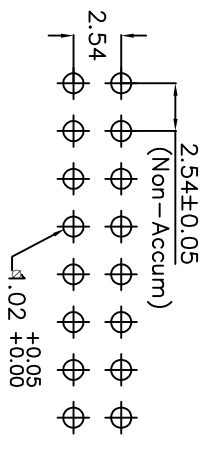


Unit: mm

Recommended P.C.B Layout



REVISIONS	
REV	DESCRIPTION
A/0	???
	DATE
	11/06/13

SPECIFICATIONS

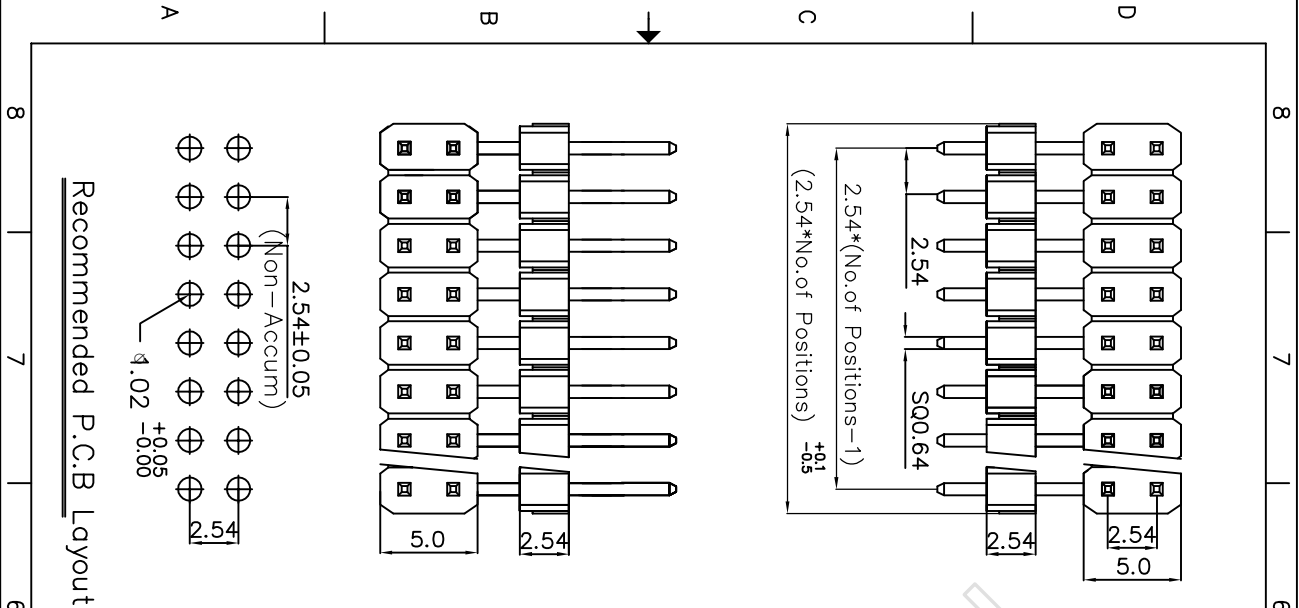
Current Rating: 1 Amp
 Insulator Resistance: 1000 Megohms min.
 Dielectric Withstanding: AC 500V
 Operating Temp.: -40° C ~ +105° C
 Max Processing Temp: (Nylon-6T): 260° C for 3 ~ 6 seconds
 (PBT): 120° C ~ 180° C for 10 seconds
 Contact Material: Copper alloy
 Insulator Material: PBT (UL94V-0)
 Plated(*Standard): Gold flash all over

UNSPECIFIED TOLERANCE: ±0.20mm

GL27D06-XX-C-1-B-XX/XX/3.0

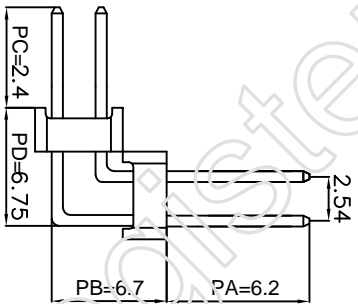
Series No.
 No. of Contacts (02-80)
 Plated:
 A: Selective Plated
 B: Tin Plated
 * Gold Plated:
 C: Gold flash
 D: Gold 2u"
 E: Gold 5u"
 F: Gold 10u"
 G: Gold 20u"
 Colour
 B: Black Y: Yellow W: White L: Blue
 Dimensions
 PA=XX (可定制)
 PD=XX (可定制)
 PC=XX (可定制)
 Housing
 1: 2.54 (PBT)
 2: 2.54 (NY-6T)
 3: 1.7 (NY-6T)
 4: 1.5 (NY-6T)

ROHS		 吳立世通电子有限公司	
Customer:	DWG: 110613-001	Part No. GL27D06-14C1B-10.0/20.0/3.0	DWG: VV
Approved:	Checked:	Date: 2011/06/13	



Recommended P.C.B Layout

名称	规格说明	材质
方针	0.64*16.0/21.0mm 90°G/F	黄铜
塑胶	Picth2.54mm 2*40Pin ??	PBT
包装	PE袋装	



REVISIONS	
REV	DESCRIPTION
A/0	07/10/26

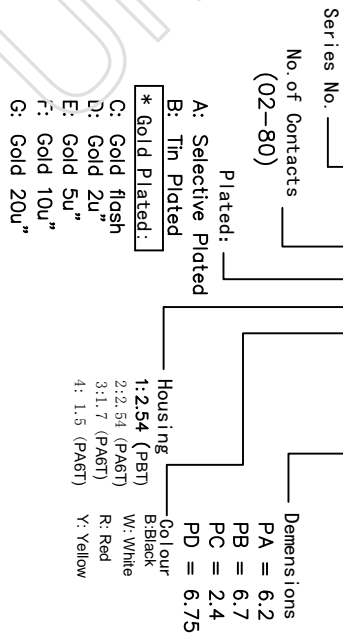
SPECIFICATIONS

Current Rating: 1 Amp
 Insulator Resistance: 1000 Megohms min.
 Dielectric Withstanding: AC 500V min
 Operating Temp: -40° C ~+405° C
 Max Processing Temp: 180° C for 10 seconds
 Contact Material: Copper alloy
 Insulator Material: PBT (UL94V-0)
 Plated(*Standard): Gold flash all over

UNSPECIFIED TOLERANCE: ±0.20 (Unit:mm)

Part No. Information:

GL27D08-10-C-1-B-6.2/6.7/6.75/2.4



Customer:	Picth2.54mm Pin Header 90度 双塑 2*XXPin	
	DWG: 071026-003	Part No. G128008-10C1B-6.2/6.7/6.75/2.4
Approved:	Checked:	Date: 2007/10/26



REVISIONS		1
REV	DESCRIPTION	DATE
A/0	???	04, 08, 03

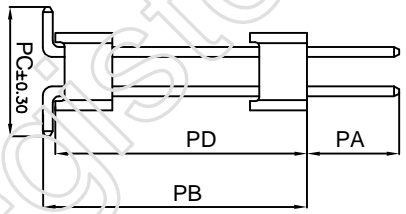
SPECIFICATIONS

Current Rating: 1 Amp
 Insulator Resistance: 1000 Megohms min.
 Dielectric Withstanding: AC 500V
 Operating Temp.: -40° C ~ +105° C
 Max Processing Temp:
 (Nylon-6T): 260° C for 3 ~ 6 seconds
 (PBT): 120° C ~ 180° C for 10 seconds
 Contact Material: Copper alloy
 Insulator Material: Nylon-6T (UL94V-0)
 Plated (*Standard): Gold flash all over

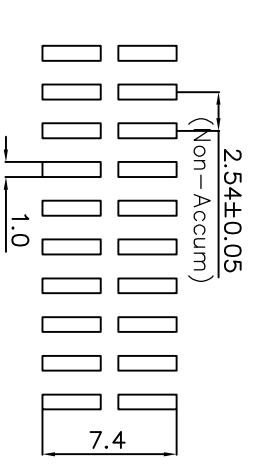
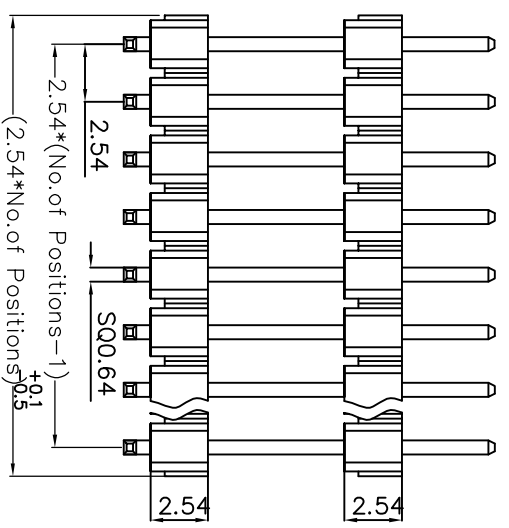
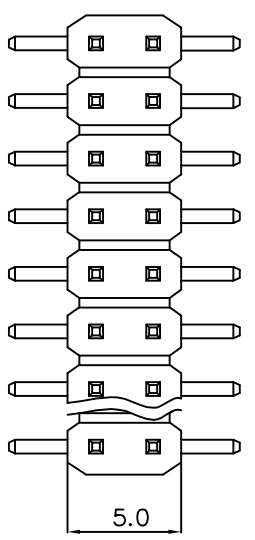
UNSPECIFIED TOLERANCE: ± 0.20mm

Part No. Information:

GL27D03-xx-C-2-B-xx/xx/xx/xx
 Series: No. of contacts: 02-80
 Plated: A: Selective Plated
 B: Tin Plated
 *Gold Plated
 Housing: L: Blue
 1: 2.54 (PBT)
 2: 2.54 (PA6T)
 3: 1.7 (PA6T)
 4: 1.5 (PA6T)
 Colour: PA=xx (可定制)
 B: Black PB=xx (可定制)
 W: White PD=xx (可定制)
 R: Red PC=xx (可定制)
 Y: Yellow



客户确认: <input type="checkbox"/> OK <input type="checkbox"/> NG
客户签名:
确认日期:
注: 贵公司确认后请回传, 谢谢!



Recommended P.C.B. Layout

ROHS		GLCONN 吴江世连电子有限公司	
Customer: XX	Part No. GL27D03-xxC2B-xx/xx/xx/xx	Pitch2.54mm Pin Header双塑 SMT 2*XXPin	
Approved:	Checked:	Date: 2007/04/04	DWG: VV